



FAG

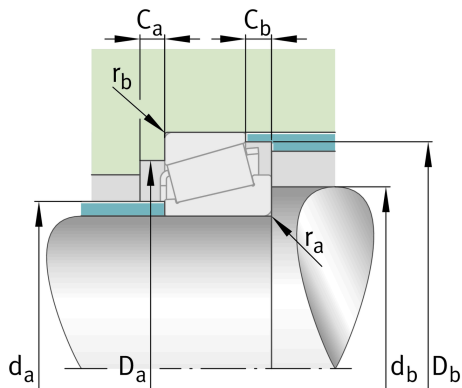
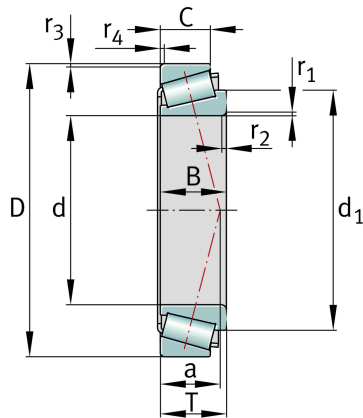
## 32228-XL

Tapered roller bearing

Schaeffler ID:  
0926073490000Tapered roller bearings 322, main  
dimensions to DIN ISO 355 / DIN 720,  
separable, adjusted or in pairs

X-life

## Technical information



## Main Dimensions &amp; Performance Data

d	140 mm	Bore diameter
D	250 mm	Outside diameter
B	68 mm	Width, inner ring
C	58 mm	Width, outer ring
T	71.75 mm	Width, total
$C_r$	760,000 N	Basic dynamic load rating, radial
$C_{0r}$	990,000 N	Basic static load rating, radial
$C_{ur}$	139,000 N	Fatigue load limit, radial
$n_G$	3,250 1/min	Limiting speed
$n_{gr}$	1,760 1/min	Thermal speed rating
	14.26 kg	Weight

## Dimensions

$r_{1,2 \text{ min}}$	4 mm	Minimum chamfer dimension of inner ring back face
$r_{3,4 \text{ min}}$	3 mm	Minimum chamfer dimension of outer ring back face
a	60 mm	Distance between the apices of the pressure cones
$d_1$	191.5 mm	Guidance rib diameter of inner ring

**Mounting dimensions**

$d_{a \max}$	159 mm	Maximum diameter of shaft shoulder
$d_{b \min}$	154 mm	Minimum diameter of shaft shoulder
$D_{a \min}$	210 mm	Minimum diameter of housing shoulder
$D_{a \max}$	236 mm	Maximum diameter of housing shoulder
$D_{b \min}$	238 mm	Minimum diameter of housing shoulder
$C_{a \min}$	8 mm	Minimum axial space
$C_{b \min}$	13.5 mm	Minimum axial space
$r_{a \max}$	4 mm	Maximum fillet radius of shaft
$r_{b \max}$	3 mm	Maximum fillet radius of housing

**Calculation factors**

	T4FD140	Comparative designation to ISO 10317 and ISO 355
$e$	0.43	Limiting value of $F_a/F_r$ for the applicability of diff. Values of factors X and Y
$Y$	1.38	Dynamic axial load factor
$Y_0$	0.76	Static axial load factor

**Temperature range**

$T_{\min}$	-30 °C	Operating temperature min.
$T_{\max}$	200 °C	Operating temperature max.